

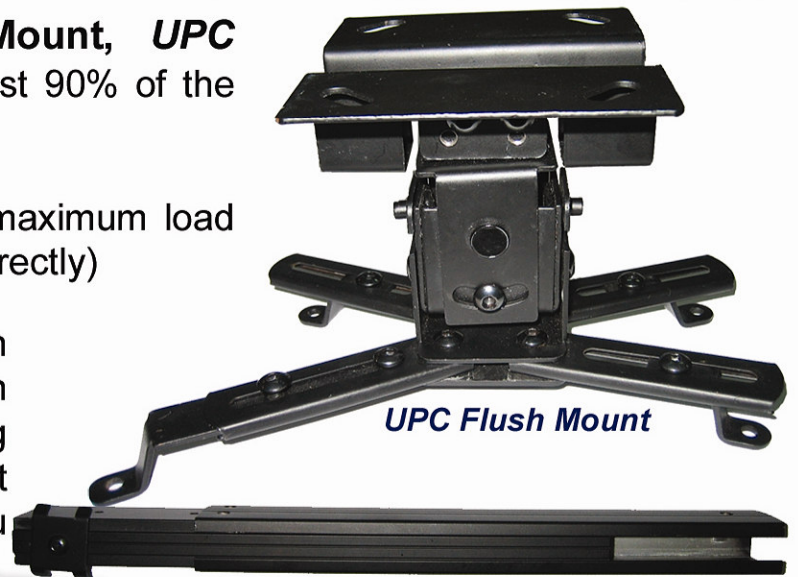
Universal Projector Mount UPC series

*with Flush Mount
and Extension Rod*

comm Universal Projector Mount, UPC series, is suitable for use with almost 90% of the Projectors in the market.

The UPC mounts can hold up to a maximum load weight 25kg Projectors (if installed correctly)

Use it as a flush ceiling mount OR with the additional extension rod, you can use it as a normal projector ceiling mount and you can be assured that you will not have any worries when you upgrade your projectors!



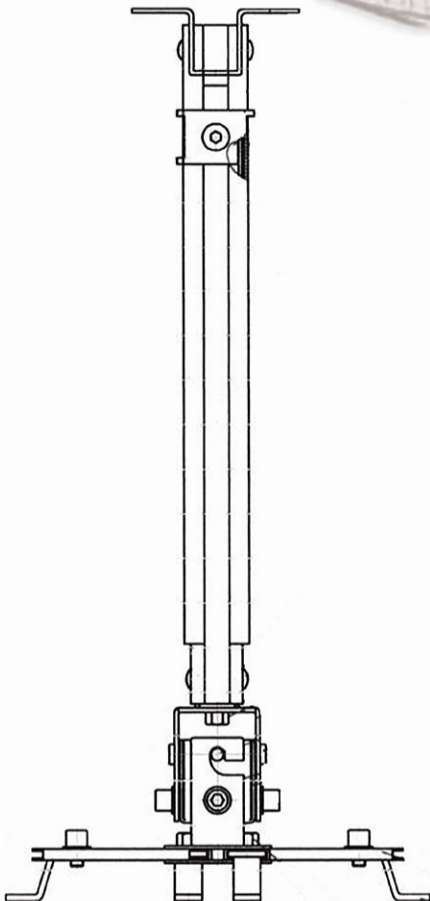
UPC Flush Mount

UPC Extension Rod

Hide the unsightly running cables to the projectors out of your view!

The Extension Rod can conceal up to 4 cables!

(Eg, VGA Cable x 1, RCA Cable x 1, Power Cable x 1, Control Cable x 1)



FEATURES

Gross Weight : UPC-1 - 1.3kg
(w/ extension rod) : UPC-2 - 1.6kg

Maximum load Weight : 25kg

Minimum Extension Length : 13 cm *

Maximum Extension Length : UPC-1 - 65 cm
 UPC-2 - 105 cm

** Height measured from Ceiling to where the base attached to the projector**

Tilting Angle : +/-15 to +/-20degrees
 (upwards / downwards)

Materials Used : Aluminium and Steel
Color : Black or White*

All products information and specifications are subject to changes without prior notice.