

# Universal Projector XTENSION Lift AC-300/500

## comm Universal Projector XTENSION Lift

- Lift system where it allows projector to be easily attached and adjusted to the projection surface.  
Can be used as a Table-Top (Pop-Up) Lift, instead of just Ceiling-Mounted Lift.

Suitable for placement in conference rooms, boardrooms, training rooms and even show-rooms, and protects your valued projectors against theft.

## FEATURES

### Universal Projector Mounting

- Suitable for most LCD/DLP Projectors

Simple Limit Switch Setting

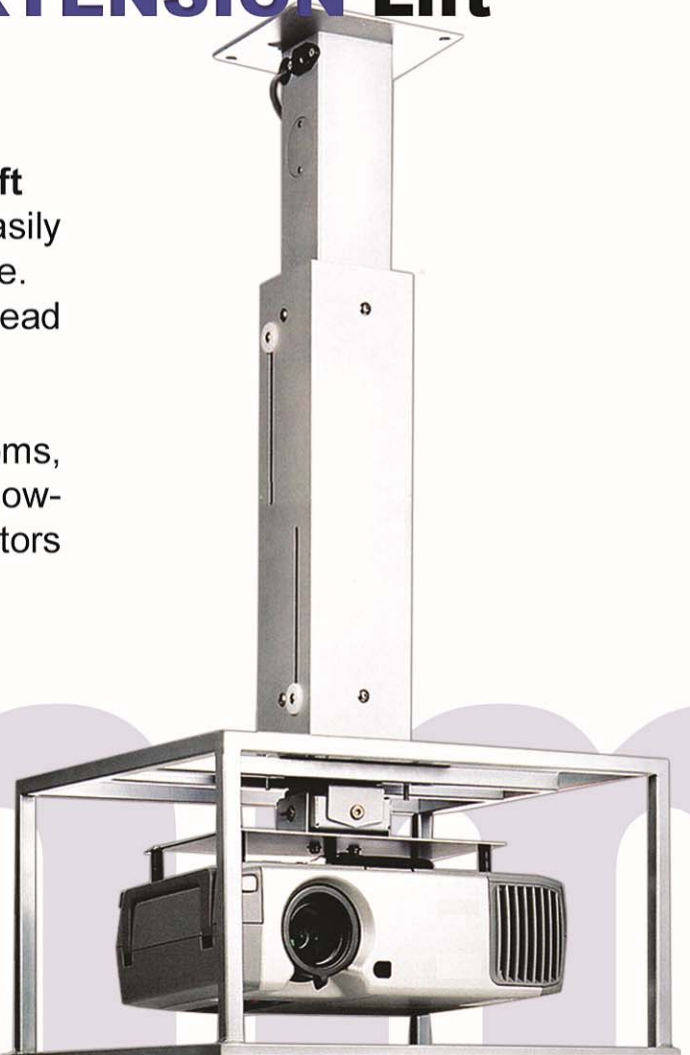
Hides & Protects the projector when not in use

Choice of two Travel Distance

Includes Remote Control

Easy Mounting Installation

Reverse Mounting



## SPECIFICATIONS

### Model Number AC-300

Dimension (WxDxH)	: 100 x 100 x 460 mm
Height (A)	: 460mm
Stroke (B)	: 300mm
Maximum Weight Capacity	: 20kgs
Power Consumption	: 160W
Voltage	: 230 - 240V

### Model Number AC-500

Dimension (WxDxH)	: 100 x 100 x 670 mm
Height (A)	: 670mm
Stroke (B)	: 500mm
Maximum Weight Capacity	: 60kgs
Power Consumption	: 300W
Voltage	: 230 - 240V

All products information and specifications are subject to changes without prior notice.

## SPECIFICATIONS

