

Multi-Room Infrared PA Speaker System

CWI-30



ALL-in-ONE Portable Speaker

Infrared technology

No interferences between rooms
(wireless transmission)

Strong 50W power output (max)

Multi-room concept

one mic to different rooms

Independent System

works on its own

Easy to Install - wall-mountable

Build-in 8" High Quality Speaker

comm multi-room wireless public address active speaker system - **CWI-30**, is the best solution for schools or commercial buildings which are keen to install sound system in every rooms. Complete with Wireless microphone transmitter (*optional* handheld OR bodypack version), it can be used in any room fitted with the speaker system.

- Transmitting Range up to **10 metres** for the Infrared-Red version
- Using **External Infrared Sensor** to effectively enlarged the operating transmitting area
- **Tone Code Security**, Compression Circuit to prevent interferences

SPECIFICATIONS

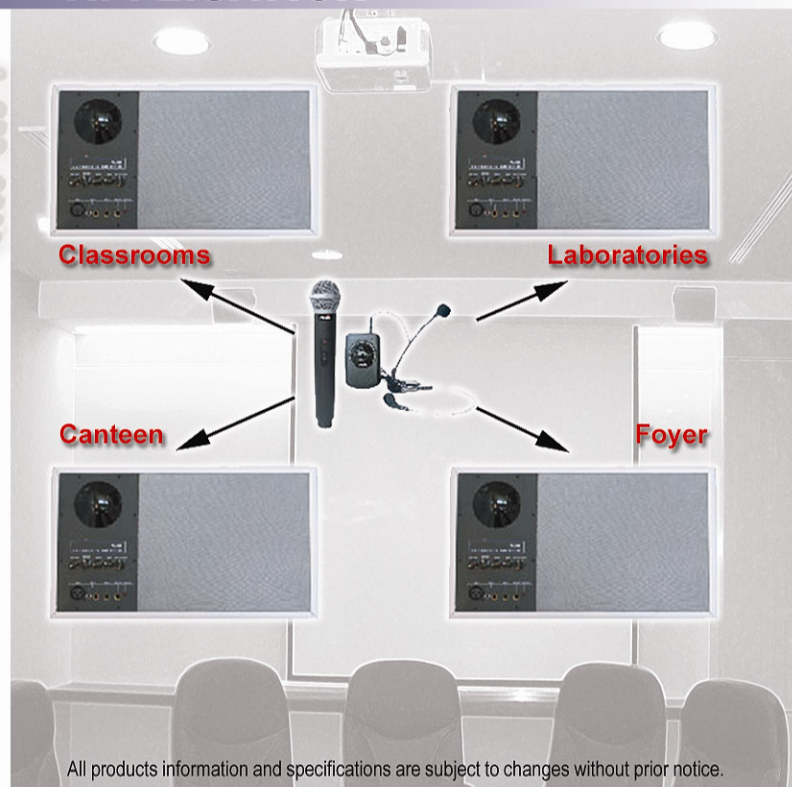
Infrared Receiver

Frequency Mode	: Infrared
Receiving Frequency	: 2.35MHz or 2.85MHz
AF Output	: 600mV @ AF 1KHz
Modulation	: FM
Frequency Response	: 50Hz - 12KHz +/- 3dB
SNR	: min 80dB
Power Output	: 30W
Distortion	: less than 1% @ 5W
Dimensions (LxWxH)	: 390 x 201 x 240 (mm)

Standard & Optional Accessories

- 1) PA Amplifier Speaker Unit (Built-in Receiver)
- 2) Handheld Mic **OR** Bodypack Transmitter
- 3) Output Signal Cable
- 4) Battery
- 5) User Manual
- 6) External Infrared Sensor (*optional*)
- 7) Dual Handheld Mic battery charger (*optional*)

APPLICATION

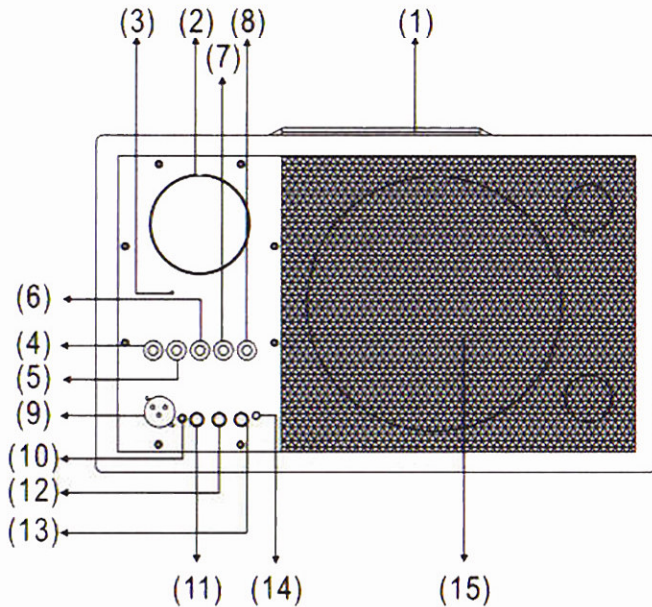


All products information and specifications are subject to changes without prior notice.

Multi-Room Infrared PA Speaker System

CWI-30 Standard & Optional Accessories

A) MAIN Amplifier Speaker Unit



- (1) Telescopic Handle (optional)
- (2) Infrared Receiving Sensor
- (3) RF LED Indicator
- (4) MIC-1 Volume Control
- (5) MIC-1 Volume Control
- (6) Treble Control
- (7) Bass Control
- (8) AUX VOL & Power Switch
- (9) Balanced MIC-IN
- (10) Condenser MIC-IN
- (11) Unbalanced MIC-IN
- (12) AUX IN
- (13) LINE OUT
- (14) Power LED Indicator
- (15) Speaker

B) Handheld Microphone

(OPTIONAL)

Transmitting Mode : Infrared
 Transmitting Frequency : 2.35MHz or 2.85MHz
 Power Source : DC 3V
 Current Consumption : 270mA
 Battery : 2.4V (2x1.2V AA) or 2x 1.5V AA
 Housing : Plastic
 Transmitting Range : 10meters (Enclosed Room)
 Dimensions : 250 x 51 mm
 Weight : ~ 0.18kg



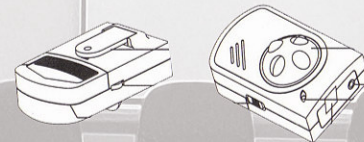
C) INFRARED Body-Pack Transmitter

c/w Clip-On Mic

(OPTIONAL)



Transmitting Mode : Infrared
 Transmitting Frequency : 2.35MHz or 2.85MHz
 Power Source : DC 3V
 Current Consumption : 270mA
 Battery : 2.4V (2x1.2V AA) or 2x 1.5V AA
 Housing : Plastic
 Transmitting Range : 10meters (Enclosed Room)
 Dimensions : 100 x 62 x 43.5 mm
 Weight : ~ 0.13kg

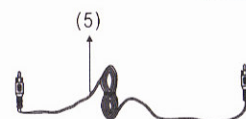
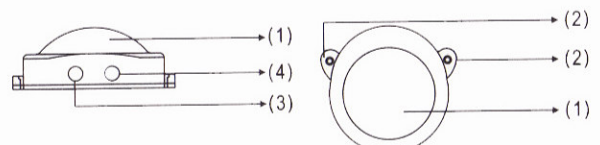


D) EXTERNAL Infrared Sensor

c/w 10m Cable

(OPTIONAL)

- (1) Receiver Cover
- (2) Fixed Ear
- (3) Infrared External Input
- (4) Infrared External Output
- (5) Signal Cable



E) Microphone Charger

(OPTIONAL)



All products information and specifications are subject to changes without prior notice.